

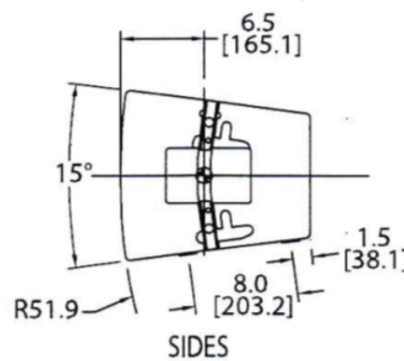
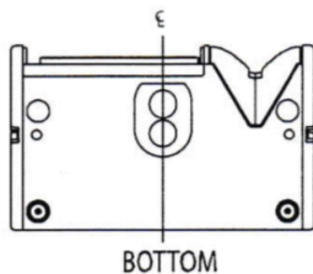
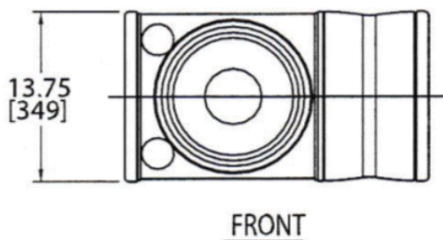
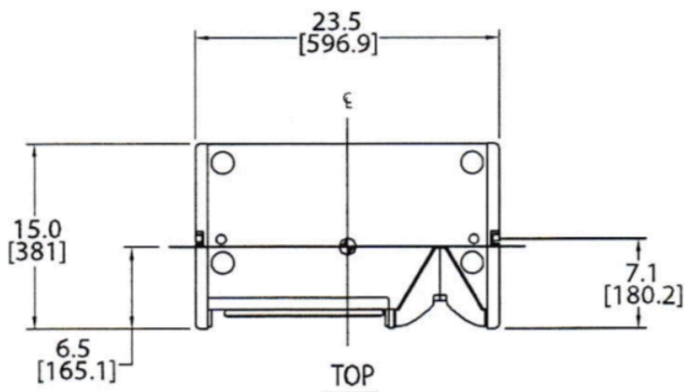


by **HARMAN**

VRX 932LA

The VRX932LA is a light-weight (46 lb / 21 kg) compact 12" two-way line array speaker system designed for use in arrays of up to six units.

Power and acoustic specifications			
Output	800w (3200w peak) 8 ohms	Frequency response	57Hz - 20Khz
Speakers	1 x 12"woofer + 3 x 1"tweeter	Max SPL	130dB
In/Out connections	Neutik Speakon	Coverage	100 x 15 degree
Physical specifications			
Case	Birch plywood case	Size	597 x 381 x 444mm
Weight	21 Kg		



Hanging bracket

