

# Product Specifications

## Beta 56®A Supercardioid Dynamic Instrument Microphone

### Overview

The Shure Beta 56A dynamic microphone has a frequency response specifically tailored for drums and instruments. An extremely uniform supercardioid pattern provides high gain-before-feedback and superior rejection of off-axis sound. A tailored frequency response specifically shaped for drums, amplified instruments and horns. An integrated swivel-mount with XLR connector simplifies mounting and adjustments.

### Features

- Premier live performance microphone with Shure quality, ruggedness, and reliability
- Uniform supercardioid pick-up pattern for maximum gain before feedback and superior rejection of off-axis sound
- Tailored frequency response specifically shaped for drums, amplified instruments and horns
- Neodymium magnet for greater sensitivity and higher output
- Advanced pneumatic shock mount system that minimizes transmission of mechanical noise and vibration
- Dent-resistant, steel mesh grille and enamel coated die-cast metal construction resist wear and abuse
- Built-in stand adapter with dynamic locking system and XLR connector simplifies setup and provides greater flexibility
- Compact design reduces stage clutter



**BETA 56A**

### Available Models

<b>BETA 56A</b>	Supercardioid Swivel-mount Dynamic Instrument Microphone with high-output Neodymium Element
-----------------	---

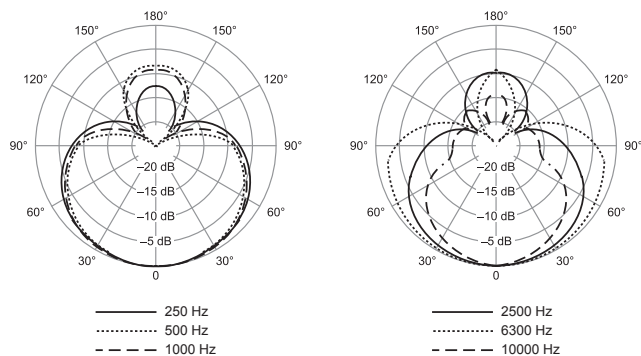
### Specifications

Cartridge Type	Dynamic (moving coil)
Frequency Response	50 to 16,000 Hz
Polar Pattern	Supercardioid
Output Impedance	150 ohms
Sensitivity (at 1kHz, open circuit voltage)	-51 dBV/Pa (2.8 mV) 1 Pascal=94 dB SPL
Polarity	Positive pressure on diaphragm produces positive voltage on pin 2 with respect to pin 3
Weight	Net: 0.468 lg (1.6 lbs)
Connector	Three-pin professional audio (XLR), male

### Furnished Accessories

<b>95A2314</b>	Zippered Carrying Bag	<b>95A2050</b>	5/8" to 3/8" (Euro) Thread Adapter
----------------	-----------------------	----------------	------------------------------------

**Polar Pattern**



**Frequency Response**

