



KUPO™

Par 64

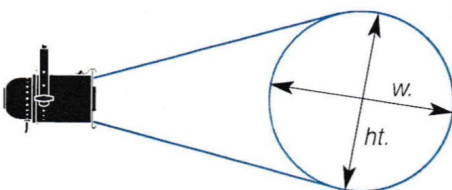
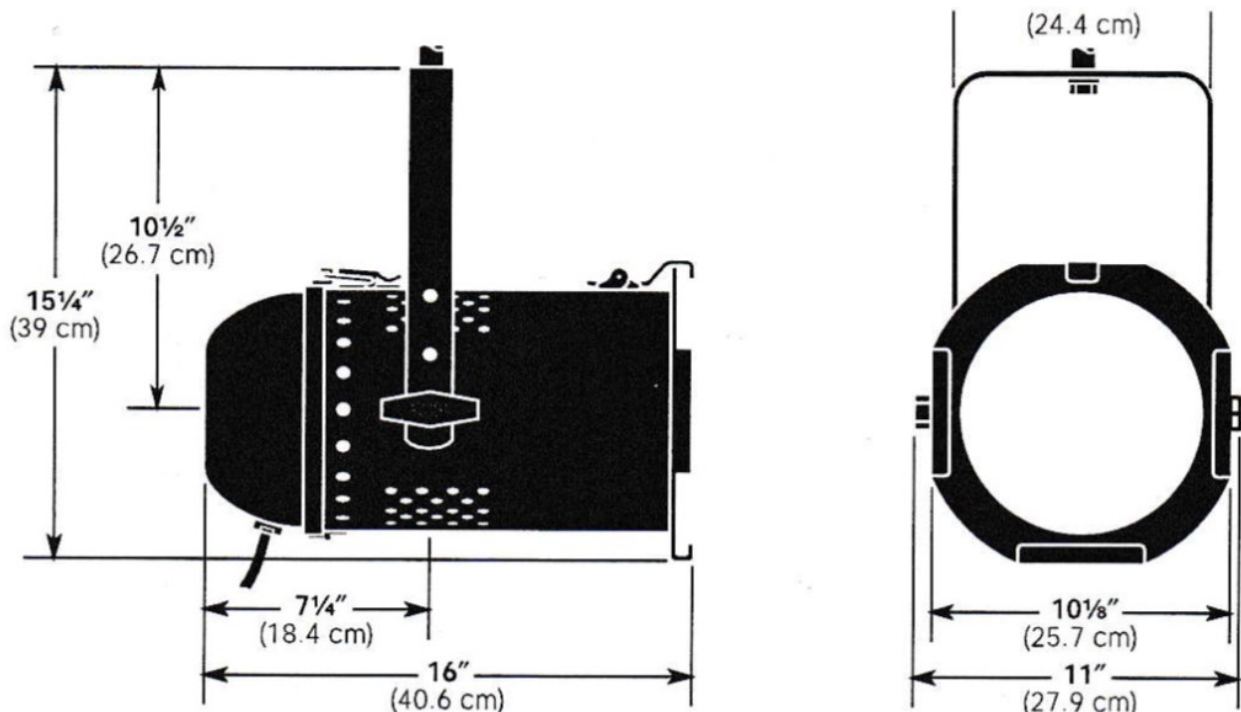
Kupo Par 64s are a low-cost, highly flexible luminaires designed for diverse applications. Intensities and beam spread are a function of the installed lamp, so any one unit can serve multiple purposes simply by changing the lamp type. In Australia they are normally used in pairs using a Y-splitter which runs the light in series and allow the use of 110v lamps at 240v as 110v lamps have a much longer life.

Light and power supply system

Voltage	110V (use in pairs with splitter - 240v)	Average lifespan	4000 hours
Power	1000W	Colour Temp.	3000K
Lamp	NSP or MFL	Beam shaping	NSP = 8 x 15 degrees, MFL = 12 x 28 degrees

Appearance parameters

Structure	Aluminium	Size	270 x 270 x 425mm
IP Rate	IP20	Net weight	2.9 Kg (with lamp)



Watts	ANSI code	Order code	Color temp. (°K)	Rated life (hrs)	Rated lumens	Beam shape	Candlepower (cd)	Beam angle	Field angle
1000	--	90-Q1000P64/NSP	3000	4000	8,500	NSP	180,000	8°x15°	14°x31°
1000	--	90-Q1000P64/MFL	3000	4000	10,000	MFL	80,000	12°x28°	22°x45°
1000	--	90-Q1000P64/WFL	3000	4000	13,500	WFL	33,000	24°x48°	45°x72°
1000	FFN	90-FFN	3200	600	11,000	VNSP	400,000	6°x12°	10°x24°
1000	FFP	90-FFP	3200	600	12,000	NSP	330,000	7°x14°	14°x26°
1000	FFR	90-FFR	3200	600	14,000	MFL	125,000	12°x28°	21°x44°
1000	FFS	90-FFS	3200	600	19,000	WFL	40,000	24°x48°	45°x71°