

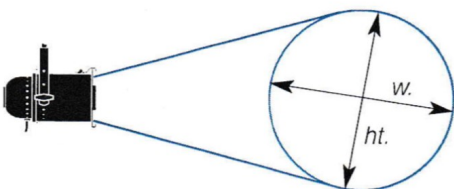
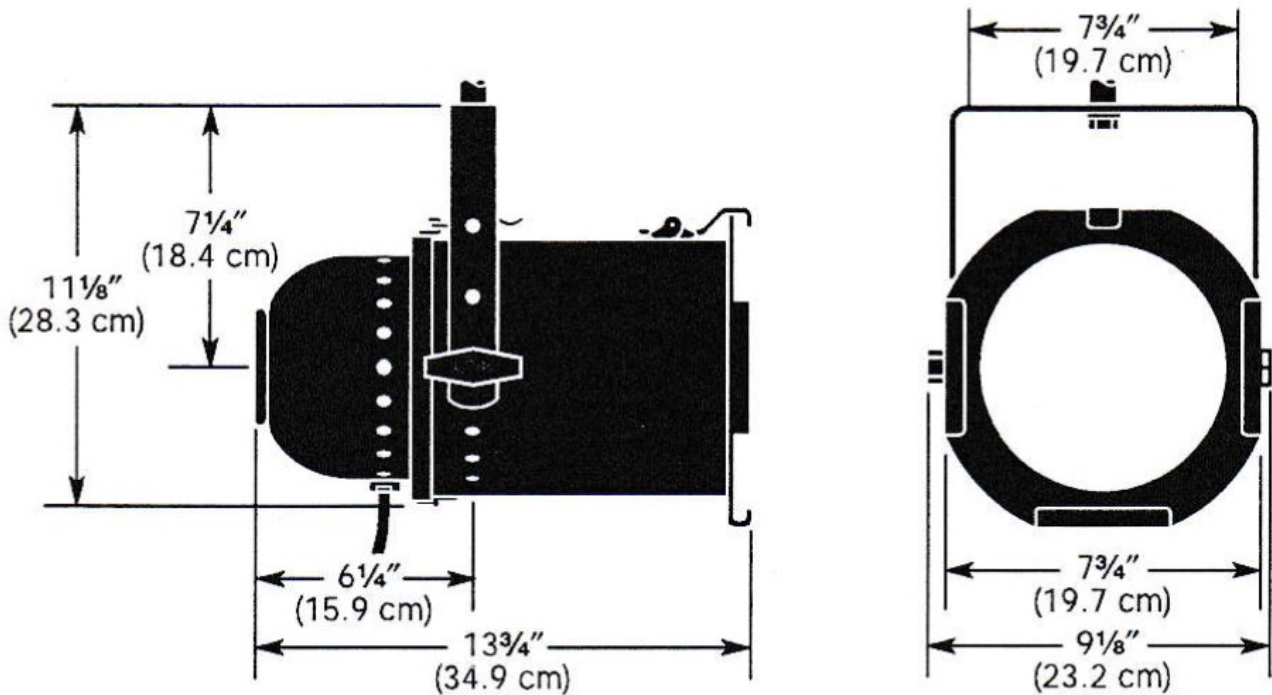


KUPO™

Par 56

Kupo Par 56s are a low-cost, highly flexible luminaires designed for diverse applications. Intensities and beam spread are a function of the installed lamp, so any one unit can serve multiple purposes simply by changing the lamp type. The oval beam 300w Par 56 are ideal for pub bands and small concerts.

| Light and power supply system | | | |
|-------------------------------|------------|------------------|---|
| Voltage | 240v | Average lifespan | 2000 hours |
| Power | 300W | Colour Temp. | 2800K |
| Lamp | NSP or MFL | Beam shaping | NSP = 8 x 10 degrees, MFL = 11 x 23 degrees |
| Appearance parameters | | | |
| Structure | Aluminium | Size | 235 x 235 x 360mm |
| IP Rate | IP20 | Net weight | 2 Kg (with lamp) |



| Watts | ANSI code | Order code | Color temp. (°K) | Rated life (hrs) | Rated lumens | Beam shape | Candlepower (cd) | Beam angle | Field angle |
|-------|-----------|-----------------|------------------|------------------|--------------|------------|------------------|------------|-------------|
| 300 | - | 90-300PAR56/NSP | 2800 | 2000 | 1,800 | NSP | 70,000 | 8°x10° | 15°x20° |
| 300 | - | 90-300PAR56/MFL | 2800 | 2000 | 2,000 | MFL | 24,000 | 11°x23° | 20°x35° |
| 300 | - | 90-300PAR56/WFL | 2800 | 2000 | 2,100 | WFL | 10,000 | 18°x37° | 30°x60° |