



H6



As a small size high-end fog machine, H-6 equips with "Immediate-Stop" patented technology, electronic temperature control system, high precision temperature control PCB and brand new professional fog generator. Built-in LCD control panel enable timing and quantitative work, adjustable fog output. It produces voluminous even and odour-free fog. Fill up a venue in short time. Smooth and stable smoke even at 1% output.

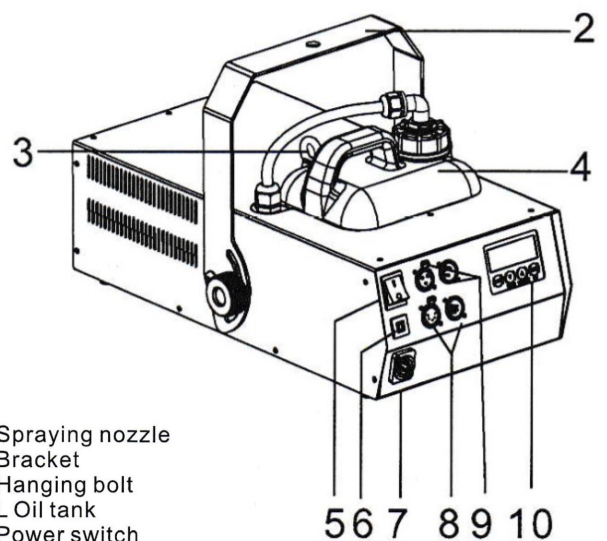
Power supply system and output

Voltage	240V 50Hz	Max Output Distance	6 m
Power	1500W	Fluid Consumption	10 min/Ltr
Heat-up time	4 min	Wireless remote	W-4
Output	20,000 cu.ft/min.	DMX Personality	1 channel
Tank Capacity	3 Ltr.	Liquid type	Water Base

Appearance parameters

Structure	Steel case	Size	235 x 490 x 140mm
IP Rate	IP20	Net weight	12 Kg

Channel	DMX Value	Function
1	0 - 5	Off
	6 - 255	Haze output Low > High



1. Spraying nozzle
2. Bracket
3. Hanging bolt
4. L Oil tank
5. Power switch
6. Breaker
7. Power socket
8. 5-pin DMX
9. 3-pin DMX
10. LCD display

