



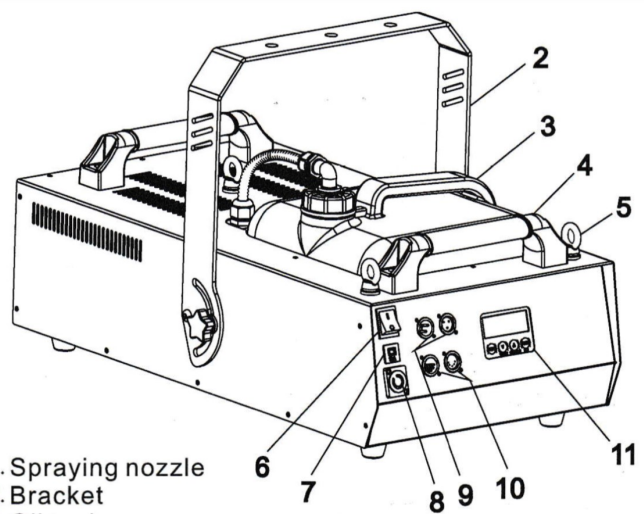
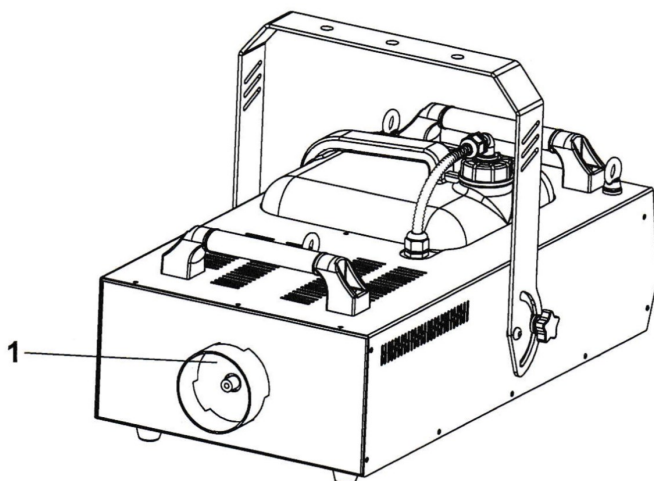
## H7

As one of the most professional fog machine, H-7 is a virtually massive fog producer delivers a powerful fog to create the best atmospheric effect. It equips with "Immediate-Stop" patented technology, electronic temperature control system, high precision temperature control PCB and brand new professional fog generator. Built-in LCD control panel enable timing and quantitative work, adjustable fog output. It's capable of voluminous output, even and odour free. Fill up a venue within very short time. Smooth and stable smoke even at 1% output.



Power supply system and output			
Voltage	240V 50Hz	Max Output Distance	8 m
Power	3000W	Fluid Consumption	5 min/Ltr
Heat-up time	7 min	Wireless remote	W-4
Output	40,000 cu.ft/min.	DMX Personality	1 channel
Tank Capacity	9 Ltr.	Liquid type	Water Base
Appearance parameters			
Structure	Steel case	Size	330 x 640 x 210mm
IP Rate	IP20	Net weight	27 Kg

Channel	DMX Value	Function
1	0 - 5	Off
	6 - 255	Haze output Low > High



1. Spraying nozzle
2. Bracket
3. Oil tank
4. Handle
5. Handle
6. Power switch
7. Breaker
8. Power socket
9. 3-pin DMX
10. 5-pin DMX
11. LCD display