



Martin[®]

by HARMAN

EFX500

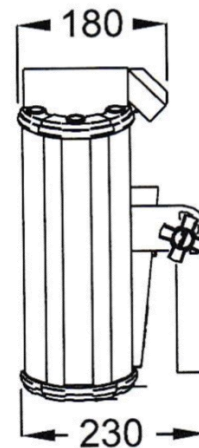
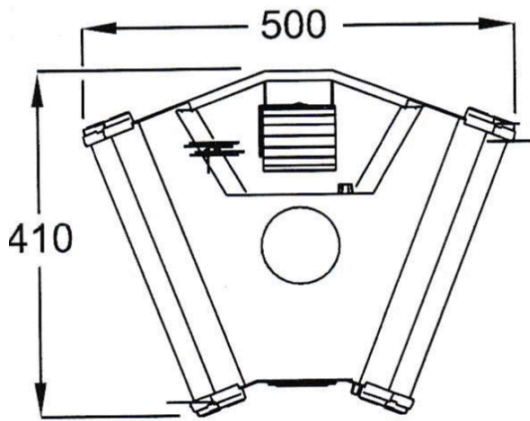
The Mania EFX500 is a powerful, “full house” 250 W halogen effect that kicks out a dizzying array of razor sharp effects and patterns.

Light and power supply system

Voltage	110v -240V/50-60Hz	Strobe	0 - 20 Hz
Power	300w	Dimmer	0 - 100%
Lamp Power	250w Halogen	Personality	7ch and 9ch DMX, Audio, 12 Programs
LED Life	500 Hours		

Appearance parameters

Structure	Aluminium	Size	500 x 400 x 180mm
IP Rate	IP20	Net weight	13 Kg



MANIA EFX500 DMX PROTOCOL

Channel	Value	Percent	Function
1	0 - 4	0 - 1	Strobe effect, auto trig, music trig, reset
	5 - 68	2 - 26	No function
	69 - 100	27 - 39	Strobe (fast to slow)
	101 - 132	40 - 51	Remote stand-alone, auto trig
	133 - 249	52 - 97	Remote stand-alone, music trig
	250 - 255	98 - 100	Reserved, no function Reset fixture (value must be held for 5 seconds)
2	0 - 255	0 - 100	Intensity 0 - 100%
3			Colored gobo wheel positions, gobo wheel rotation, gobo wheel music trig
	0 - 9	0 - 3	Full gobo positions
	10 - 19	4 - 7	Gobo 1
	20 - 29	8 - 11	Gobo 2
	30 - 39	12 - 15	Gobo 3
	40 - 49	16 - 19	Gobo 4
	50 - 59	20 - 23	Gobo 5
	60 - 69	24 - 26	Gobo 6
	70 - 79	27 - 30	Gobo 7
	80 - 89	31 - 35	Gobo 8
	90 - 99	36 - 38	Gobo 9
	100 - 109	39 - 42	Gobo 10
110 - 119	43 - 46	Gobo 11	
120 - 175	47 - 68	Gobo 12 (blackout) Reserved, (Gobo 12 - blackout)	
176 - 207	69 - 81	Continuous Rotation	
208 - 239	82 - 93	Clockwise (fast → slow) Counterclockwise (slow → fast)	
240 - 244	94 - 95	Music function	
245 - 249	96 - 97	Gobo wheel music trig fast	
250 - 255	98 - 100	Gobo wheel music trig slow Gobo wheel music trig dynamic	
4	0 - 1	0	Colored gobo wheel shake
	2 - 128	1 - 50	No function
	129 - 255	51 - 100	Narrow shake (slow → fast) Wide shake (slow → fast)
5	0 - 1	0	Mirror dish rotation, shake and music trig
	2 - 65	1 - 25	Stop
	66 - 129	26 - 50	Counterclockwise rotation (fast → slow)
	130 - 192	51 - 75	Clockwise rotation (slow → fast)
	193 - 208	76 - 81	Shake (slow → fast)
	209 - 239	82 - 93	Random shake Reserved, stop
	240 - 244	94 - 95	Mirror dish music trig, fast
	245 - 249	96 - 97	Mirror dish music trig, slow
250 - 255	98 - 100	Mirror dish music trig, dynamic	
6	0	0	Pan (mirror drum swivel) position, shake and music trig
	63	24	Maximum left pan
	127	50	Neutral
	128 - 182	51 - 71	Maximum right pan
	183 - 239	72 - 93	Narrow shake (slow → fast)
	240 - 244	94 - 95	Wide shake (slow → fast)
	245 - 249	96 - 97	Music trig pan, fast
	250 - 255	98 - 100	Music trig pan, slow Music trig pan, dynamic
7	0 - 1	0	Tilt (mirror drum rotation) rotation, shake and music trig
	2 - 63	1 - 24	No rotation
	64 - 65	25	Clockwise rotation (slow → fast)
	66 - 127	26 - 49	No rotation
	128 - 129	50	Counterclockwise rotation (fast → slow)
	130 - 184	51 - 72	No rotation
	185 - 239	73 - 93	Narrow shake (slow → fast)
	240 - 244	94 - 95	Wide shake (slow → fast)
	245 - 249	96 - 97	Mirror drum rotation music trig, fast
	250 - 255	98 - 100	Mirror drum rotation music trig, slow Mirror drum rotation music trig, dynamic
	8*	0 - 15	0 - 5
16 - 31		6 - 11	No Macro
32 - 47		12 - 18	Macro 1
48 - 63		19 - 24	Macro 2
64 - 79		25 - 30	Macro 3
80 - 95		31 - 37	Macro 4
96 - 111		38 - 43	Macro 5
112 - 127		44 - 49	Macro 6
128 - 143		50 - 55	Macro 7
144 - 159		56 - 62	Macro 8
160 - 175		63 - 68	Macro 9
176 - 191		69 - 74	Macro 10
192 - 207		75 - 81	Macro 11
208 - 255		82 - 100	Macro 12 Reserved. No function
9*	0 - 1	0	Effects speed (DMX mode 2 only)
	2 - 255	1 - 100	Tracking (default) Fast → slow

* Channels 8 and 9 are available in DMX mode 2 only. In DMX mode 1, effects speed is set to 'tracking'.