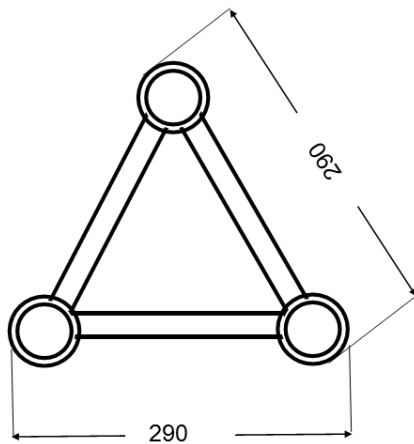
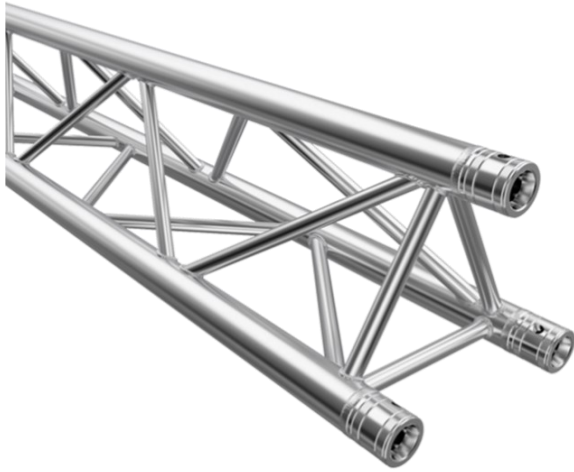


TOP TRUSS

300 Tri Truss





The B30 triangle truss is designed as a medium duty truss system. The system is connected via a special conical connector with excellent strength and stability, creating optimal traction convenient for assembly and collection. All the tubes and connectors welding through the mould of semi-automatic, the finished products are fixed in the standard mould welding can be guarantee the accuracy of truss in any conditions connect smoothly. This item is approved by TUV SUD certificate in Germany.

Technical Specifications - B30 Series

- Section type Triangular Truss
- Material Alloy EN-AW 6082-T6
- Main tubes 50 x 3mm tube
- Brace 20 x 2mm tube



B30 Tri truss - 290 x 290mm

Truss length (L)	1M	2M	3M	4M	5M	6M	7M	8M	9M	10M	11M	12M	13M	14M	15M	16M
 Kg	1718.5	914	605.5	450.9	357.6	294.5	248.8	214.2	186.7	164.5	146	130.2	116.5	104.5	93.9	94.3
Deviation in mm.	1	4	8	14	22	32	43	57	72	89	107	127	150	174	199	227
 Kg	1720	1516.5	1006	748.8	593.2	488.8	412.8	355.6	310	273.2	242.4	216	193.2	173.6	156	140
Deviation in mm.	1	2	6	11	18	26	35	45	57	71	86	102	120	139	159	181

CODE	Length	Dimension	CBM	N.W.
D005B	0.5M	L55 x W31 x H27mm	0.05M sq.	3.74 Kg
D010B	1.0M	L105 x W31 x H27mm	0.09M sq.	5.50 Kg
D020B	2.0M	L205 x W31 x H27mm	0.17M sq.	6.80 Kg
D030B	3.0M	L305 x W31 x H27mm	0.26M sq.	9.10 Kg
V040B	4.0M	L405 x W31 x H27mm	0.34M sq.	13.5 Kg

CERTIFICATE

ZERTIFIKAT • CERTIFICATE • CERTIFICADO • CERTIFICAT



TÜV SÜD Industrie Service GmbH

CERTIFICATE

Conformity of the Factory Production Control
0036-CPR-1090-1.00245.TÜV SÜD.2015.001

In compliance with Regulation 305/2011/EU of the European Parliament and of the Council of 9 March 2011 (the Construction Products Regulation or CPR), this certificate applies to the following construction product:

Construction product	Structural components and kits for aluminum structures to EN1090-2
Intended use	for load-bearing structures in all types of buildings
CE - marking method	ZA 3.2 and ZA 3.4 acc. to EN 1090-1:2009+A2:2011
Range of production	see reverse
Manufacturer	Toptruss Performance Equipment Co., Ltd. No. 9, Seven Road B Area 528226 Foshan City CHINA
Manufacturing plant	Toptruss Performance Equipment Co., Ltd. No. 9, Seven Road B Area 528226 Foshan City CHINA
Confirmation	This certificate attests that all provisions concerning the assessment and verification of constancy of performance described in Annex ZA of the harmonised standard EN 1090-1:2009+A1:2011 under system 2+ are applied, and that the factory production control fulfils all the prescribed requirements stated therein.
Start of validity	20.01.2015
Next surveillance audit	20.01.2018
Period of validity	This certificate will remain valid as long as the test methods and/or the factory production control requirements included in the harmonised standard used to assess the performance of the declared characteristic do not change, and the product and the manufacturing conditions in the plant are not modified significantly.
Remarks	see reverse
Place and date of issue	Munich, 20.01.2015 Lu Sanyao







TÜV SÜD Industrie Service GmbH • Alteisenstr. 9/10 • 80699 München • Germany

TOPTRUSS products successfully passed the Germany TÜV SÜD certification through the first-class technology, high-quality staff, excellent quality and safety.

TÜV SÜD group is one of the largest technical detection, inspect and quality certification body, as Europe and the world's most authoritative certification, always is famous for its rigorous quality testing certification service. With the most advanced technology, the most stringent testing and certification standards to conduct a comprehensive inspection of product quality and provide various professional evaluation.

Germany TÜV SÜD certificate is one of Chinese products into European and American market, through this certification mean that the products comply with European and American countries technical standards.

ZERTIFIKAT • CERTIFICATE • CERTIFICADO • CERTIFICAT



Welding Certificate

TÜV SÜD-00245.2015.001

In compliance with EN 1090-2, table B 1, it is hereby declared:
The manufacturer has produced evidence that he fulfils the requirements of the European standard EN 1090-2 for evaluation of structural aluminium components

Manufacturer	Toptruss Performance Equipment Co., Ltd. No. 9, Seven Road B Area CN 528226 Foshan City
Technical specification	EN 1090-2:2008
Execution class(es)	EXC3 according to EN 1090-2
Welding Process(es)	141 - TIG gas tungsten arc welding
Material Group	23 according to EN 50878 13008 and EN 1090-2, table 1 and 2
Responsible Welding Coordinator	Zhang Jing, IWS born on: 21.01.1985
Substitute	Su Shiyao, engineer born on: 27.11.1991
Confirmation	All provisions concerning welding as described in the above mentioned technical specification(s) were applied.
Validity start	20.01.2015
Period of validity	20.01.2018
Remarks	see reverse
Place and date of issue	Munich, 20.01.2015 Lu Sanyao







TÜV SÜD Industrie Service GmbH • Alteisenstr. 9/10 • 80699 München • Germany

ZERTIFIKAT • CERTIFICATE • CERTIFICADO • CERTIFICAT



CERTIFICATE

The company

Toptruss Performance Equipment Co., Ltd.
No. 9, Seven Road B Area
CHN - 528226 Foshan City
P.R. China

fulfils the
Comprehensive Quality Requirements according to
EN ISO 3834-2

for the range mentioned in the enclosure to this certificate.

The certificate expires in January 2018.

Report No. 221699
Munich, January 20th, 2015



TÜV SÜD Industrie Service GmbH
Westendstrasse 199, D-80699 München

Department
Material and Welding Technology



Dipl.-Ing. (FH) Tobias Ströblner





