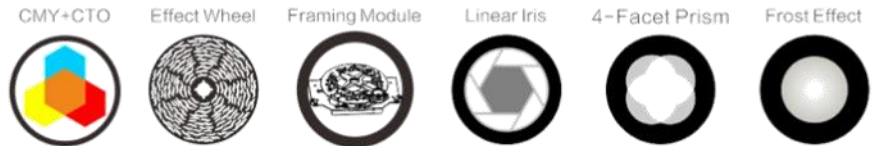




LIGHT SKY®

SUPER SCOPE MAX

The SUPER SCOPE MAX, is a true multi-function large venue fixture with CMY+CTO, 6 - 50 deg zoom, framing, effects, prism and much more making the Super Scope



Technical Parameters

Light and power supply system

Voltage	AC100~240V 50/60HZ	LED power	1200W
Rated power	1430W	Iris	5-100% linearly adjustable with macro.
Power factor	0.987	Light source	1200W LED white
Lifespan	20000h.	Strobe	1-25 times/second
Colour temp.	8000K	Dimmer	electronic dimmer,0-100% linear adjustment

Colour / Pattern / Effect

Colour wheel	5 colours + white , Bi-direction rainbow effect	Profile module	8 facet & 4 blades framing shutters
Colour mixing system	Linear CMY colour mixing system	Prism	1 x Quadrangular rotating
CTO	Linear 3000K - 6500K	Zoom angle	6° - 50°
Effect wheel	1 x dynamic wheel, excellent flame effect	Frost	1° and 10° two levels frost and superposition effects
2 x Rotating Gobo Wheels	Each with 6 removable glass gobos, Bi-directional. Design size: inside diameter 17mm, outside diameter 22.9 mm.	Focus and Lens	Φ186mm High precision front lens - linear adjustable zoom and focus

Control system

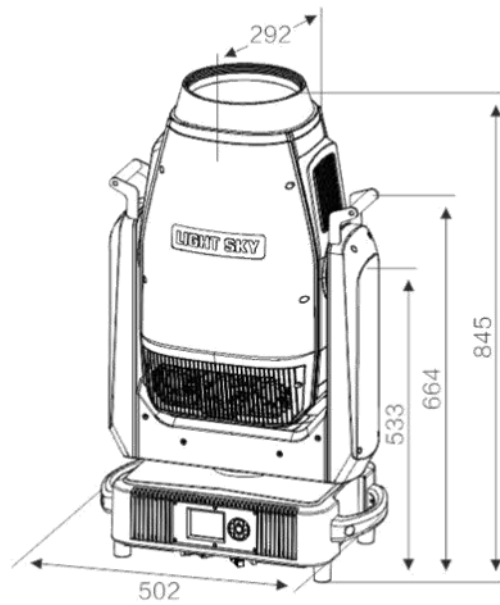
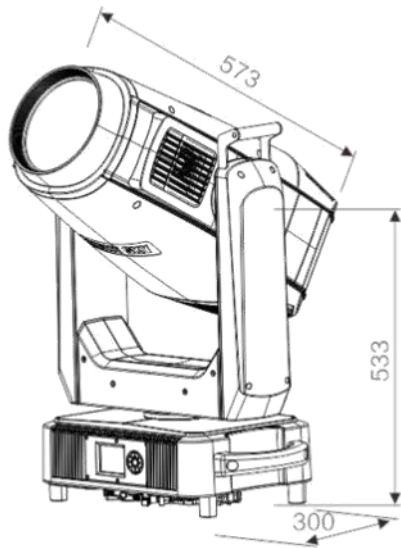
Control mode	DMX-512, RDM, Art-Net	Pan/Tilt Resolution	2.11°/1.05°
Channel	Standard channel: 42CH; Extension channel: 56CH	Tilt / Speed	270° / 2.1sec.
Display	LCD Touch screen	Software upgrade	Via USB
Pan / Speed	540° / 2.7sec.	Cooling	Forced ventilation with axial fans.

Appearance parameters

Light Size	845x300x502(mm)	IP Rate	IP20
A single carton size	920x570x375(mm)	1Pcs to a Flycase	710X560X875(mm)
N.W / G.W	44Kg fixture / 48.8Kg in carton	N.W / G.W	44Kg / 80.6Kg
Structure	heat-proof plastic + module pressing alloy materials		

Other function

IP set	Built in battery, IP address could be set without electricity.
Features	1、 Input signal isolation: guarantees stable signal transmission without interference. 2、 Advanced Art-Net function
Safety Devices	BIPOlar circuit breaker with thermal protection.
The vertical direction	The vertical direction of the use of hidden locking device, convenient transportation and maintenance.
CE Mark	In conformity with the Low Voltage Directive of European Union -- 2014/35/EU and Electromagnetic compatibility Directive -- 2014/30/EU.



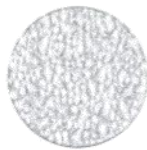
ROTATION GOBO WHEEL A



FG2073



FG2068



FG1123D



FG2101



FG2071



FG2102

Note: Gobo Size: Outer diameter ϕ 31.9mm, Inner diameter ϕ 24mm

ROTATION GOBO WHEEL B



FG2061



FG2103



FG2104



FG2064



FG2062



FG2105

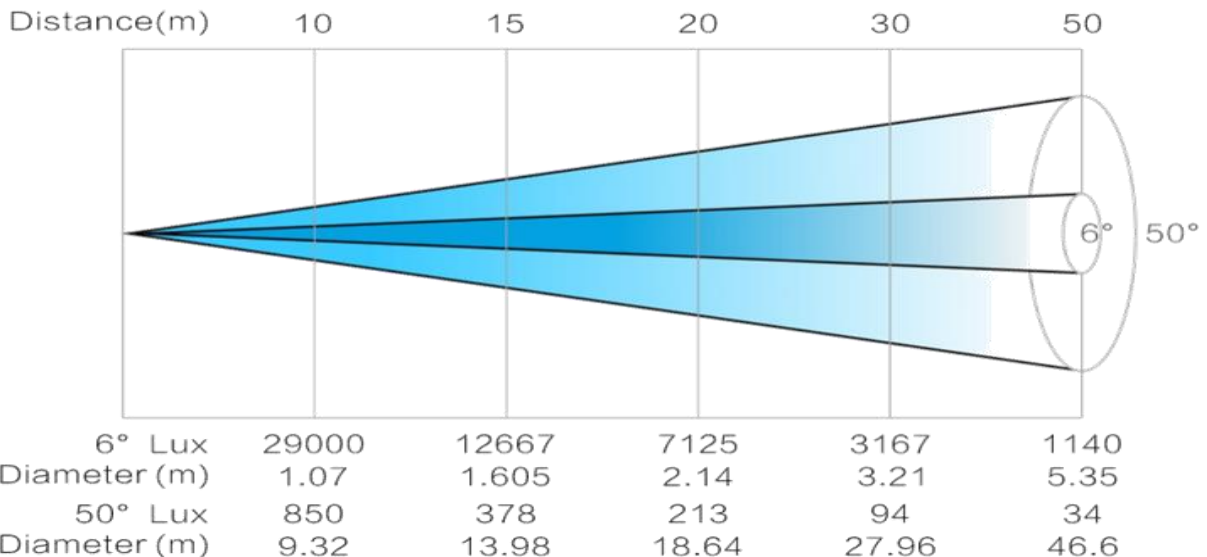
Note: Gobo Size: Outer diameter ϕ 31.9mm, Inner diameter ϕ 24mm

COLOR WHEEL

Red(635nm) Green(504/536nm) Blue(500nm) Orange(T-585) Turquoise(T-B560)



Distance, spot diameter and illumination diagram



DMX Channel setting

Super Scope	56 Ch	42 Ch	DMX Value	Function
Pan	1	1	0 - 255	0 > 540 degrees
Fine Pan	2	2	0 - 255	0 > 2 degrees
Tilt	3	3	0 - 255	0 > 270 degrees
Fine Pan	4	4	0 - 255	0 > 2 degrees
Pan/Tilt Speed	5		0 - 255	
Function	6	5	0 - 10 11 - 20 21 - 30 31 - 40 41 - 50 51 - 60 61 - 70 71 - 80 81 - 90 91 - 100 101 - 110 111 - 120 121 - 130 131 - 140 141 - 150 151 - 160 161 - 170 171 - 180 181 - 190 191 - 255	No function Lamp reset XY (Pan / Tilt) reset Colour reset Gobo reset Framing reset Focus reset Silent mode Normal mode High pattern YY move blackout ON XY move blackout OFF Pan Invert ON Tilt Invert ON P/T Invert OFF P/T Swap ON P/T swap OFF Show backlight is always on Display backlight auto. No function
Cyan	7	6	0 - 255	
Cyan Fine	8		0 - 255	
Magenta	9	7	0 - 255	
Magenta Fine	10		0 - 255	
Yellow	11	8	0 - 255	
Yellow Fine	12		0 - 255	
CTO	13	9	0 - 255	
CTO Fine	14		0 - 255	
Colour Wheel	15	10	0 - 89 90 - 99 100 - 109 110 - 119 120 - 129 130 - 139 140 - 149 150 - 159 160 - 169 170 - 179 180 - 214 215 - 249 250 - 255	0 > 360 deg Open Colour 1 Colour 2 Colour 3 Colour 4 Colour 5 Colour 6 Colour 7 Colour 8 CW Slow > Fast CCW Fast > Slow Random colour
Gobo Wheel 1	16	11	0 - 9 10 - 19 20 - 29 30 - 39 40 - 49 50 - 59 60 - 69 70 - 79 80 - 89 90 - 99 100 - 109 110 - 119 120 - 129 130 - 139 140 - 193 194 - 249 250 - 255	Open Gobo 1 Gobo 2 Gobo 3 Gobo 4 Gobo 5 Gobo 6 Gobo 1 Jitter Slow > Fast Gobo 2 Jitter Slow > Fast Gobo 3 Jitter Slow > Fast Gobo 4 Jitter Slow > Fast Gobo 5 Jitter Slow > Fast Gobo 6 Jitter Slow > Fast Open CW Slow > Fast CCW Fast > Slow Random Gobo
Gobo 1 Rot.	17	12	0 - 127 129 - 189 190 - 193 194 - 255	0 - 360 deg. Forward Fast to slow Stop Backward Slow to fast
Gobo Wheel 2	18	13	0 - 9 10 - 19 20 - 29 30 - 39 40 - 49 50 - 59 60 - 69 70 - 79 80 - 89 90 - 99 100 - 109 110 - 119 120 - 129 130 - 139 140 - 193 194 - 249 250 - 255	Open Gobo 1 Gobo 2 Gobo 3 Gobo 4 Gobo 5 Gobo 6 Gobo 1 Jitter Slow > Fast Gobo 2 Jitter Slow > Fast Gobo 3 Jitter Slow > Fast Gobo 4 Jitter Slow > Fast Gobo 5 Jitter Slow > Fast Gobo 6 Jitter Slow > Fast Open CW Slow > Fast CCW Fast > Slow Random Gobo
Gobo 2 Rotate	19	14	0 - 127 129 - 189 190 - 193 194 - 255	0 - 360 deg. Forward Fast to slow Stop Backward Slow to fast

Super Scope	56 Ch	42 Ch	DMX Value	Function
Blade Up 1	20	15	0 - 255	
Blade Up 1 Fine	21		0 - 255	
Blade Up 2	22	16	0 - 255	
Blade Up 2 Fine	23		0 - 255	
Blade DW 1	24	17	0 - 255	
Blade DW 1 Fine	25		0 - 255	
Blade DW 2	26	18	0 - 255	
Blade DW 2 Fine	27		0 - 255	
Blade LF 1	28	19	0 - 255	
Blade LF 1 Fine	29		0 - 255	
Blade LF 2	30	20	0 - 255	
Blade LF2 Fine	31		0 - 255	
Blade RF 1	32	21	0 - 255	
Blade RF 1 Fine	33		0 - 255	
Blade RF 2	34	22	0 - 255	
Blade RF 2 Fine	35		0 - 255	
Frame Rotate	36	23	0 - 255	0 > 90 Degree
Framing Macro	37	24	0 - 10 11 - 20 21 - 30 31 - 40 41 - 50 51 - 60 61 - 70 71 - 80 81 - 90 91 - 100 101 - 110 111 - 120 121 - 130 131 - 140 141 - 150 151 - 160 161 - 170 171 - 180 181 - 190 191 - 200 201 - 255	No function Square Rectangle Isosceles Triangle Trapezoidal Fan (face up) Parallelogram Right Angle trapezoid Fan (face down) Triamgle Prismatic Stripes Bar Upper left quadrant Semicircle (Up) Upper right qoadcant Right Semicircle Right lower quadrant sEmicircle (down) Lower left quadrant Left Semicircle
Framing Mac.Zoom	38	25	0 - 255	
Prism	39	26	0 - 10 11 - 255	Prism off Prism Out > In
Prism Rotate	40	27	0 1 - 63 64 - 127 128 - 191 192 - 207 208 - 223 224 - 139 240 - 255	No Function 0 - 360 deg. Forward rot. Fast to slow Backward Rot. Slow tp fast Slow to fast 90 deg swing Slow to fast 189 deg swing Slow to fast 270 deg swing Slow to fast 360 deg swing
Effect	41	28	0 - 9 - 255	Out - In
Effect rotation	42	29	0 - 2 3 - 130 131 - 255	No Function Forward rotate Fast to slow Backward rotate Slow to fast
CRI	43	30	0 - 9 - 255	Out - In
Frost 1	44	31	0 - 127 128 - 187 188 - 195 196 - 255	Min > Max No Function No Function No Function
Frost 2	45	32	0 - 127 128 - 187 188 - 195 196 - 255	Min > Max No Function No Function No Function
Iris	46	33	0 - 127 128 - 187 188 - 195 196 - 255	Max to Min Slow in Fast out Slow > Fast Fast in Slow out Slow > Fast Slow In Slow out Slow > Fast
Zoom,	47	34	0 - 255	Max > Min Aperture
Zoom Fine	48		0 - 255	
Focus	49	35	0 - 255	
Focus Fine	50	36	0 - 255	
Focus Auto distance	51	37	0 - 9 10 - 19 20 - 29 30 - 39 40 - 49 50 - 59 60 - 69 70 - 79 80 - 255	No function 7 metres 10 metres 15 metres 20 metres 25 metres 30 metres 40 metres 50 metres
Auto Focus Adjust	52	38	0 - 255	Fine adjust
Strobe	53	39	0 - 9 10 - 49 50 - 89 90 - 119 120 - 179 180 - 255	No function Closing pulses slow to fast Opening pulses fast to slow No function Random strobe slow to fast Strobe slow to fast
Dimmer	54	40	0 - 255	Bark to Bright
Dimmer Fine	55	41	0 - 255	Fine Adjust
Gobo macro	56	42	0 - 15 16 - 255	No Function Macros